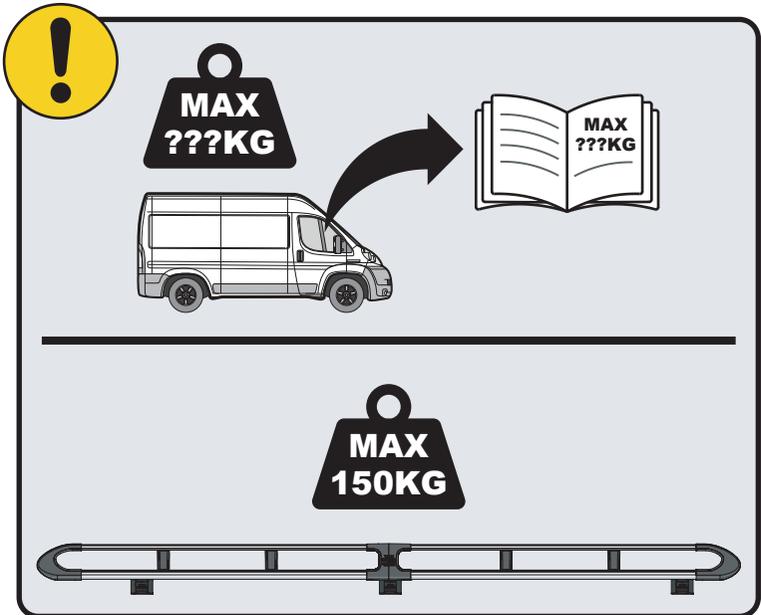
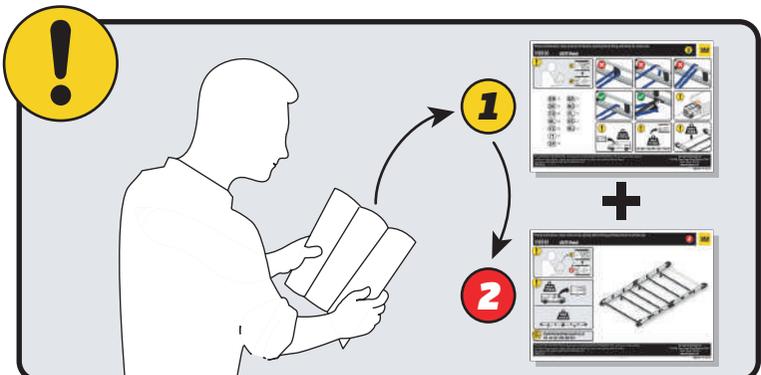


# IN8282

## ULTI Rack+



 [Customercare@van-guard.co.uk](mailto:Customercare@van-guard.co.uk)  
UK +44 (0) 1392 368 351

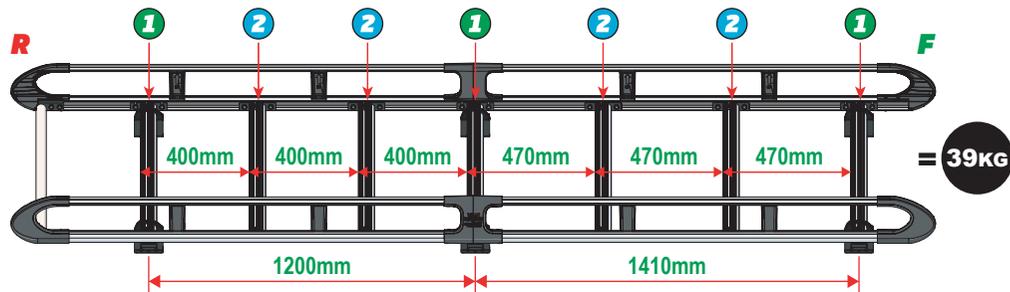
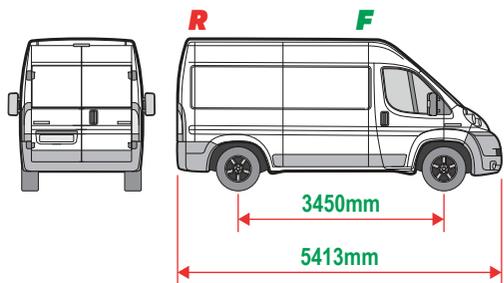


This FITTING INSTRUCTION is the property of VAN GUARD ACCESSORIES LTD. and must not be used for manufacturing purposes, copied nor communicated in any way to third parties without written permission from VAN GUARD ACCESSORIES LTD.  
IN8282\_A (CN:NR)

Van Guard Accessories Ltd  
Fair Oak Close, Exeter Airport Business Park,  
Exeter, Devon, EX5 2UL  
[www.van-guard.co.uk](http://www.van-guard.co.uk)

# VGUR-211

Citroen Relay: 2006 on  
Fiat Ducato: 2006 on  
Peugeot Boxer: 2006 on  
Vauxhall Movano: 2022 on  
**L2H2**  
Twin Rear Doors



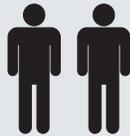
**SUPPLIED COMPONENTS - CHECK ALL PARTS ARE PRESENT AND CORRECT BEFORE PROCEEDING (1 OF 2)**

**TOOLS REQUIRED**

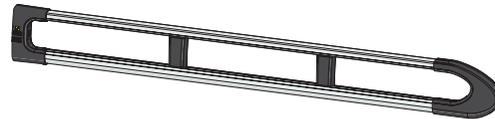
**10MM X2**



**13MM X1**



**AS3543 X2**  
(3200 / A)



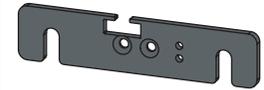
**MA6118 X14**



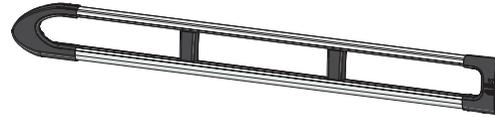
**FX4241 X32**



**ME1622 X4**



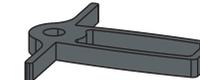
**AS3542 X2**  
(3200 / B)



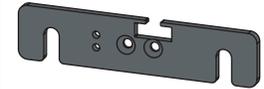
**FX4008 X1**



**MA6145 X1**



**ME1623 X4**



**ME1629 X7**  
(1804mm)



**FX4001 X2**  
(M8X40)



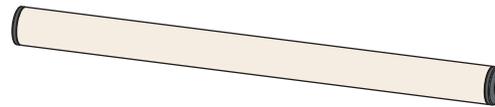
**FX4235 X28**  
(M5X25)



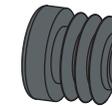
**ME0203 X6**



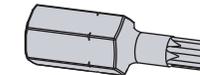
**AS3161 X1**  
(1790mm)



**MA6007 X4**



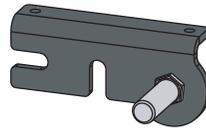
**FX4248 X1**  
(T25)



**MA6065 X6**



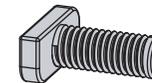
**AS3590 X1**



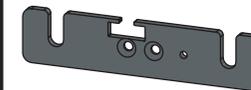
**MA6093 X14**



**FX4239 X32**  
(M8X20)



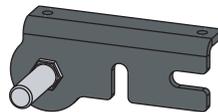
**ME1620 X3**



**FX4016 X18**  
(M6)



**AS3591 X1**



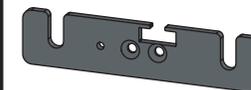
**ME0316 X14**



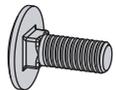
**FX4240 X32**  
(M8)



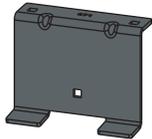
**ME1621 X3**



**FX4042 X12**  
(M6X16)



**ME0671 X6**



**ME0010 X6**



**FX4015 X6**  
(M6X30)

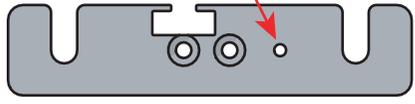


**MA6016 X12**



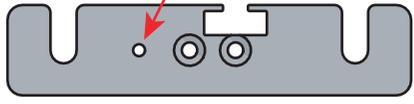
01

1L



X3

1R



X3



2L



X4

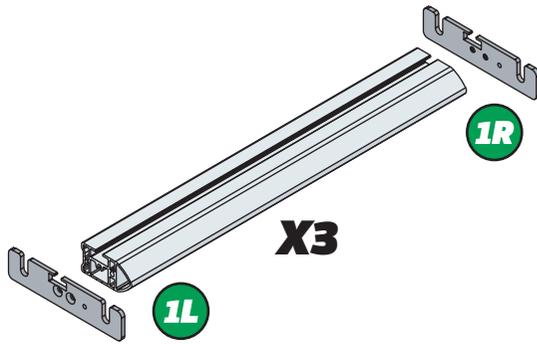
2R



X4

02

1R

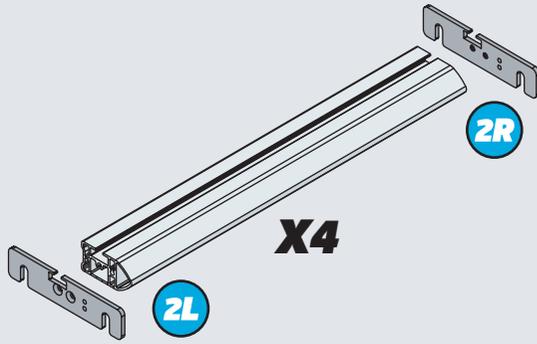


X3

1L



2R



X4

2L



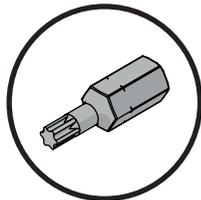
03

01

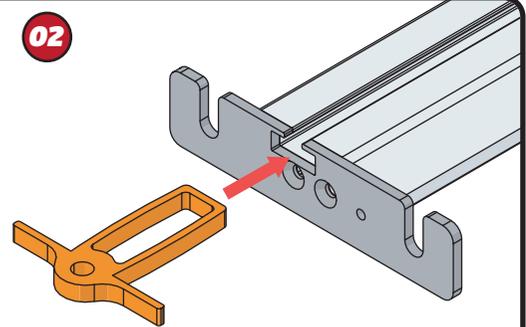
FX4248



+



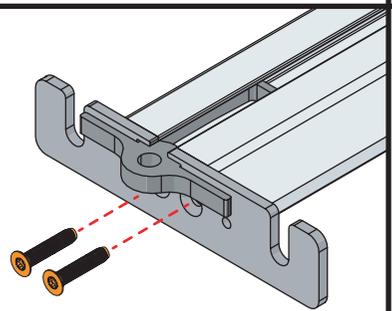
02



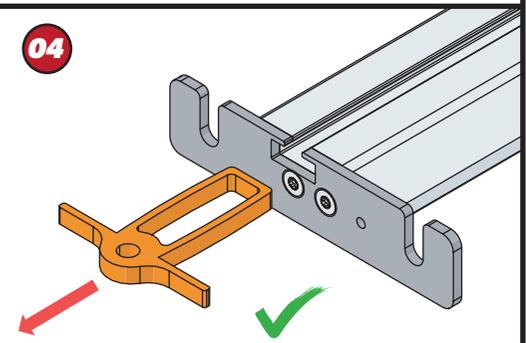
03



11Nm



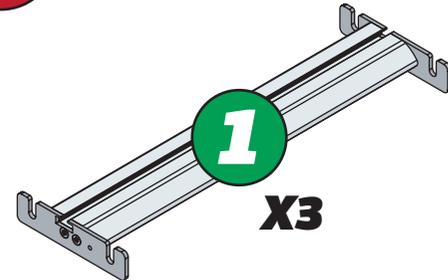
04



04

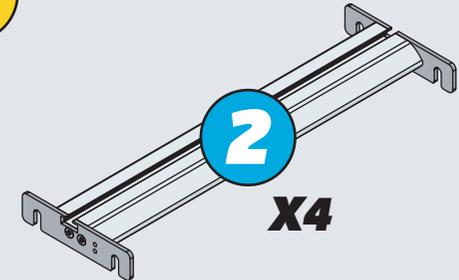


1

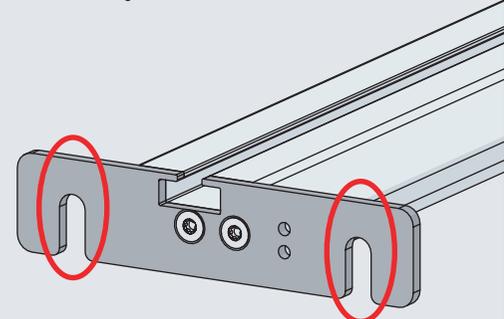
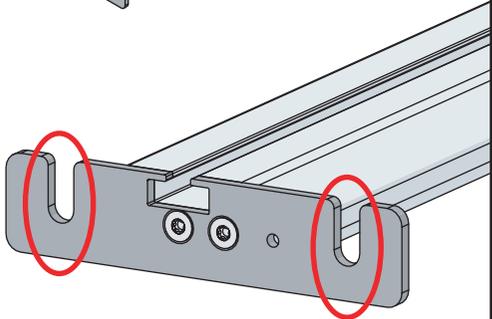


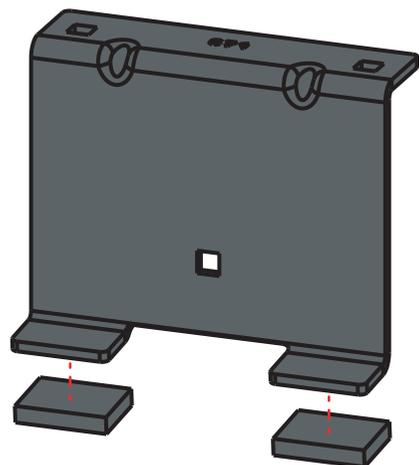
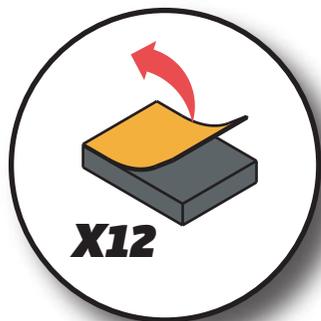
X3

2



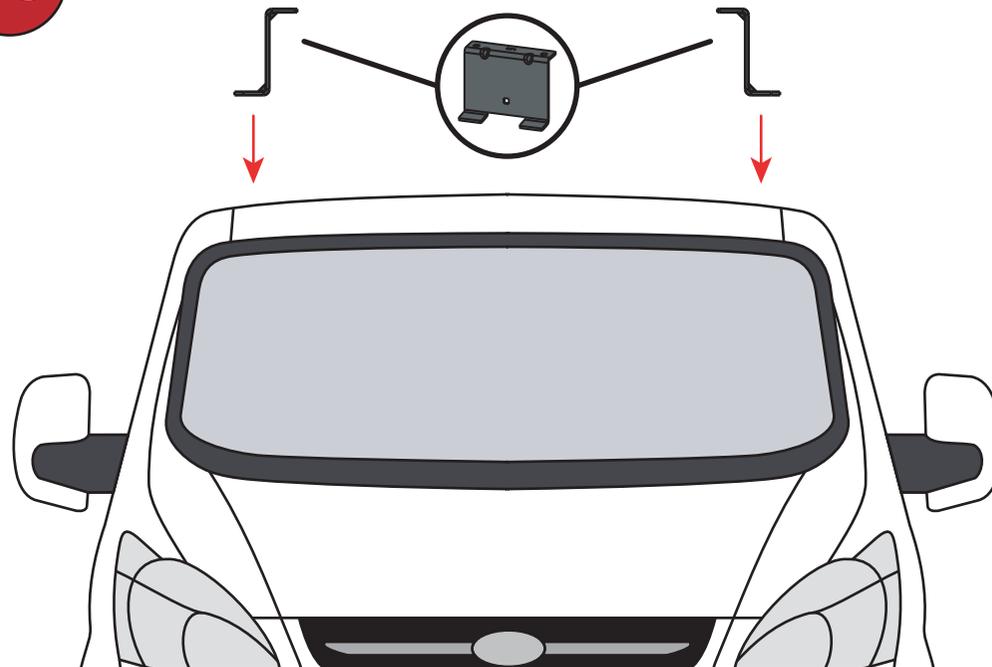
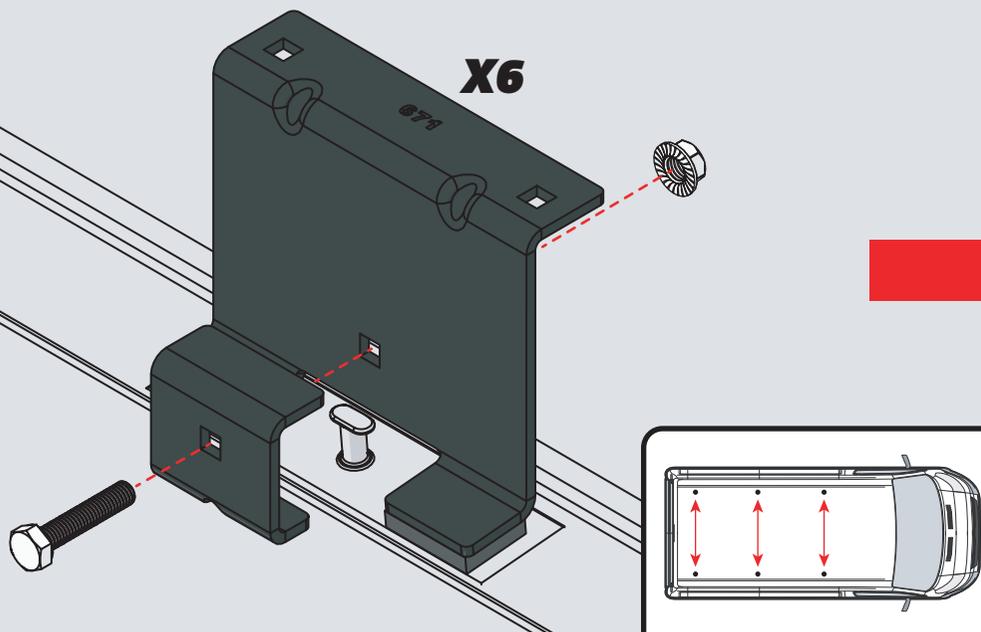
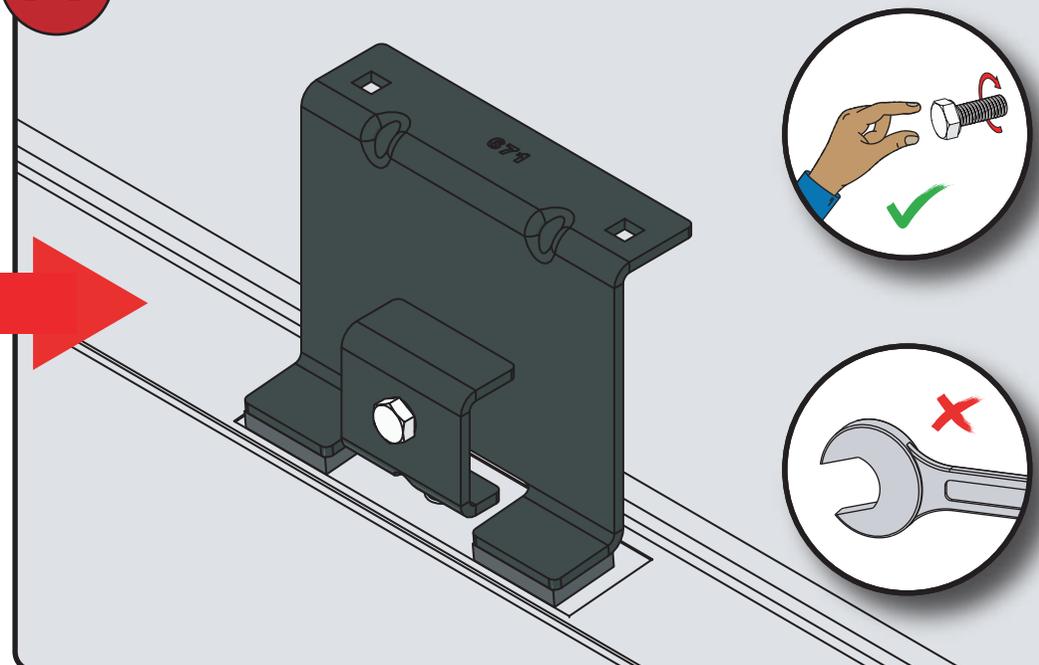
X4

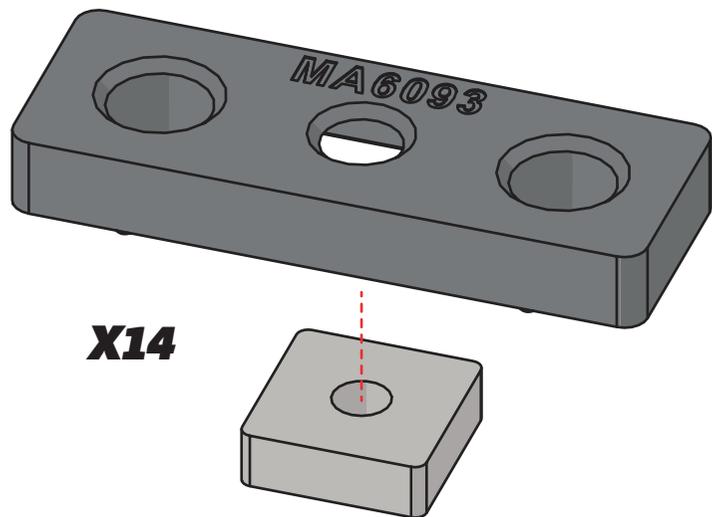
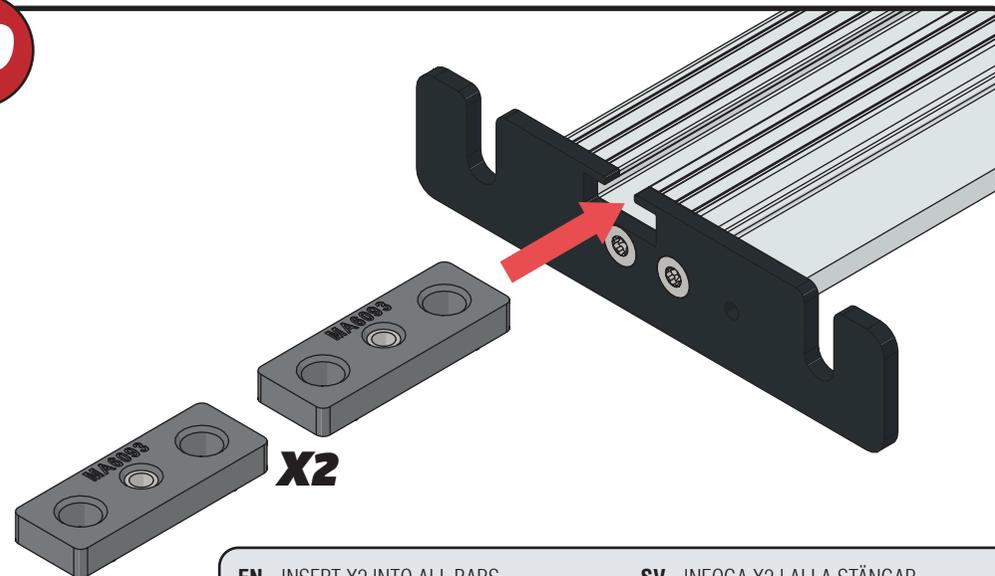


**05**

EN - STICK GASKETS TO ALL BRACKETS  
 DE - KLEBEN SIE DIE DICHTUNG AN ALLEN HALTERUNGEN  
 FR - COUSSINETS ADHÉSIFS À TOUS LES SUPPORTS  
 NL - PLAK PAKKING OP ALLE BEUGELS  
 ES - PEGA LAS ALMOHADILLAS A TODOS LOS SOPORTES  
 IT - ADESIVI GUARNIZIONI A TUTTE LE STAFFE

SV - FÄST GUMMI PÅ ALLA FÄSTEN  
 DA - KLÆB GUMMI PÅ ALLE BESLAG  
 NO - PLIST GUMMI PÅ ALLE BRAKKETTER  
 PL - NAKLEJ USZCZELKI DO WSZYSTKICH WSPORNIKÓW  
 CS - PŘILEPTE TĚSNĚNÍ NA VŠECHNY DRŽÁKY

**06****07****08**

**09****10**

EN - INSERT X2 INTO ALL BARS

DE - X2 IN ALLE STANGEN EINFÜGEN

FR - INSÉRER X2 DANS TOUTES LES BARRES

NL - PLAATS X2 IN ALLE BARS

ES - INSERTAR X2 EN TODAS LAS BARRAS

IT - INSERIRE X2 IN TUTTE LE BARRE

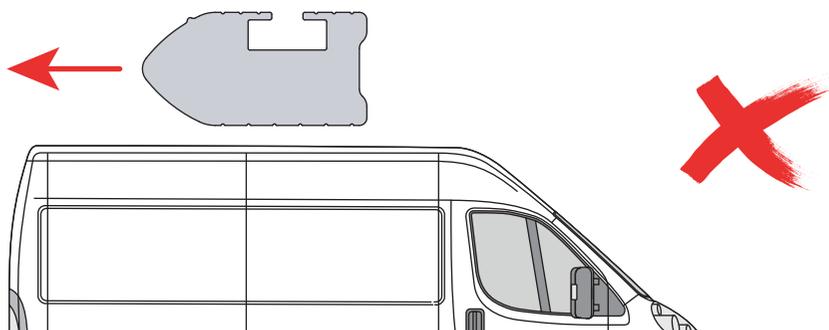
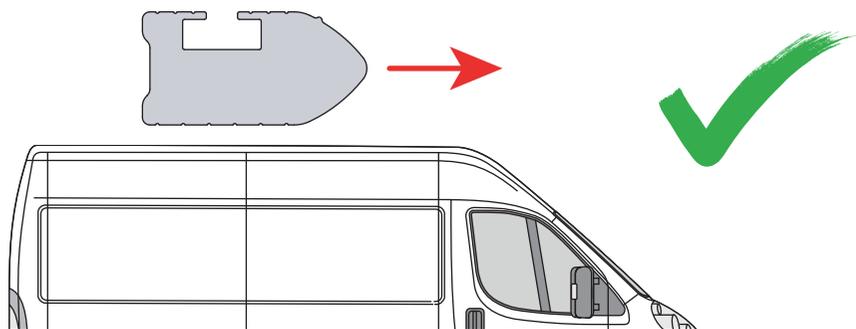
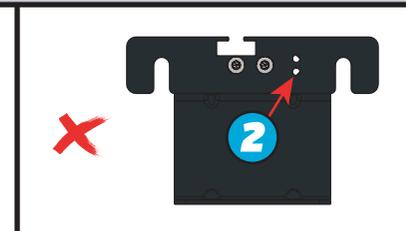
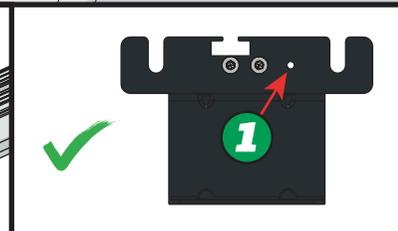
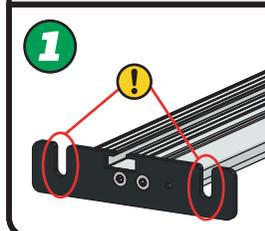
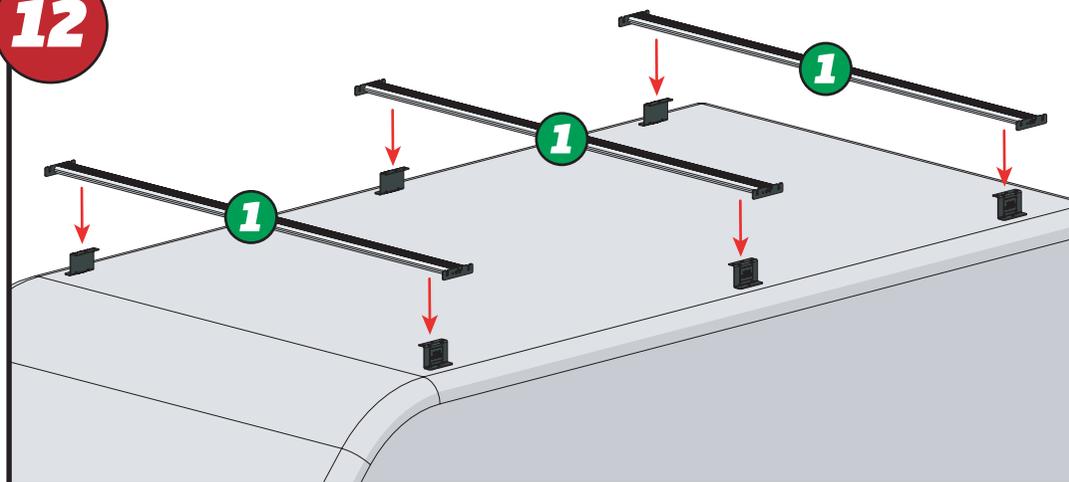
SV - INFOGA X2 I ALLA STÄNGAR

DA - INDSÆT X2 I ALLE STÆNGER

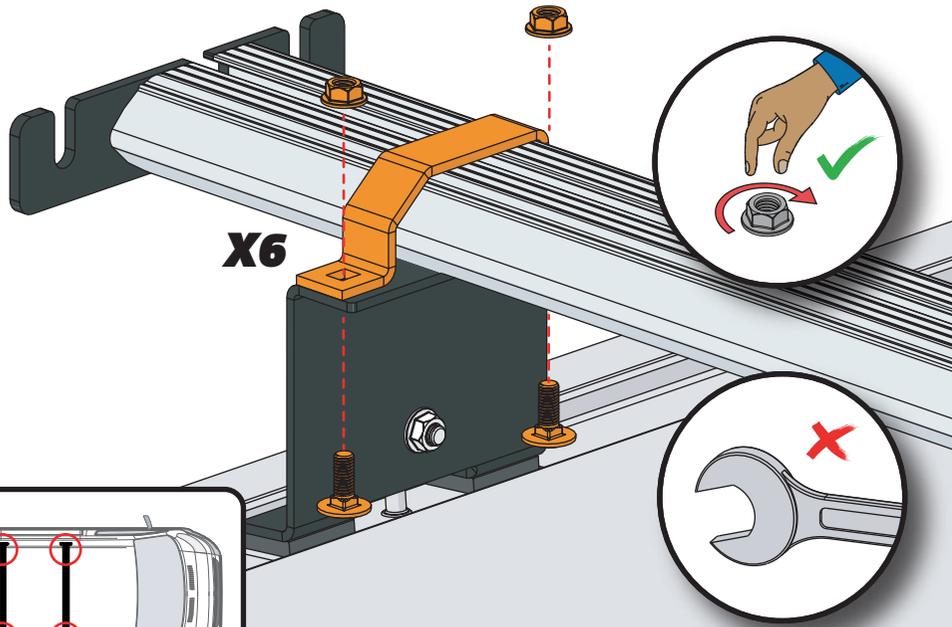
NO - SETT X2 INN I ALLE TAKSTENGER

PL - WSTAW X2 DO WSZYSTKICH PRĘTÓW

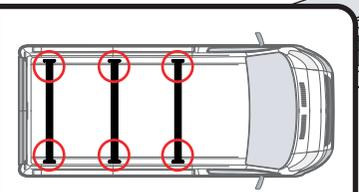
CS - VLOŽTE X2 DO VŠECH TYČÍ

**11****12**

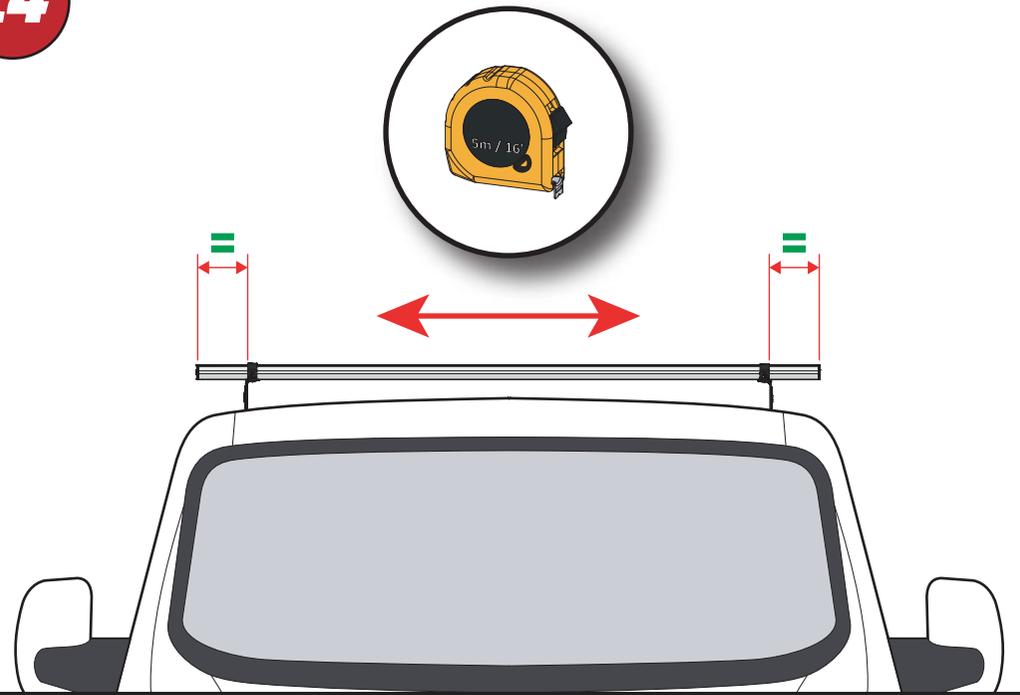
13



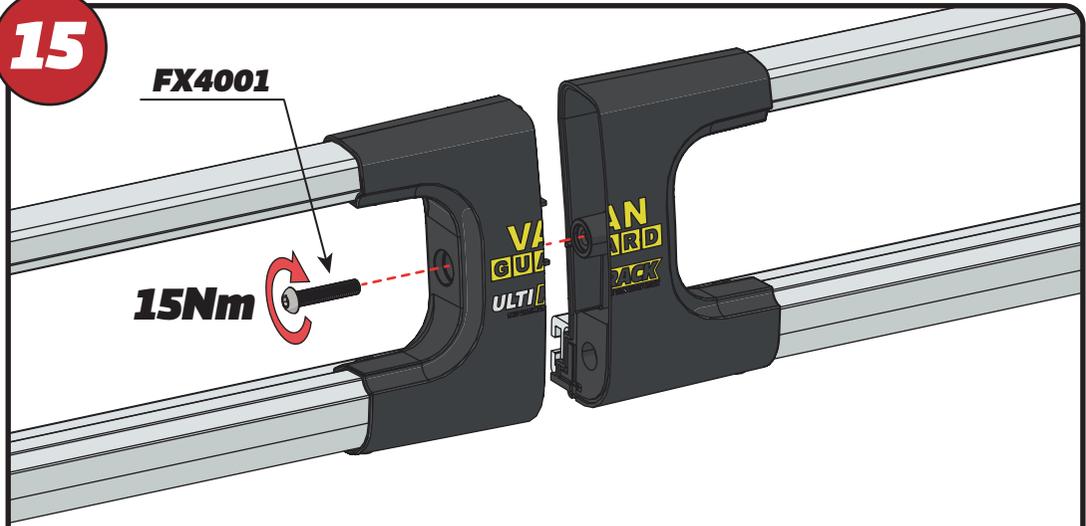
X6



14



15



FX4001

15Nm

VAN GUARD MULTI

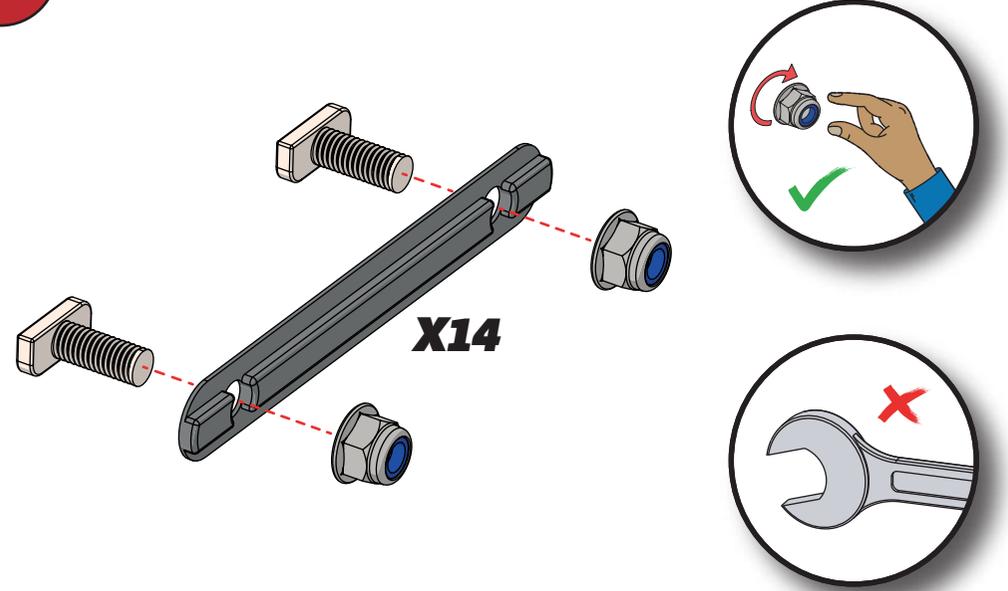


X2



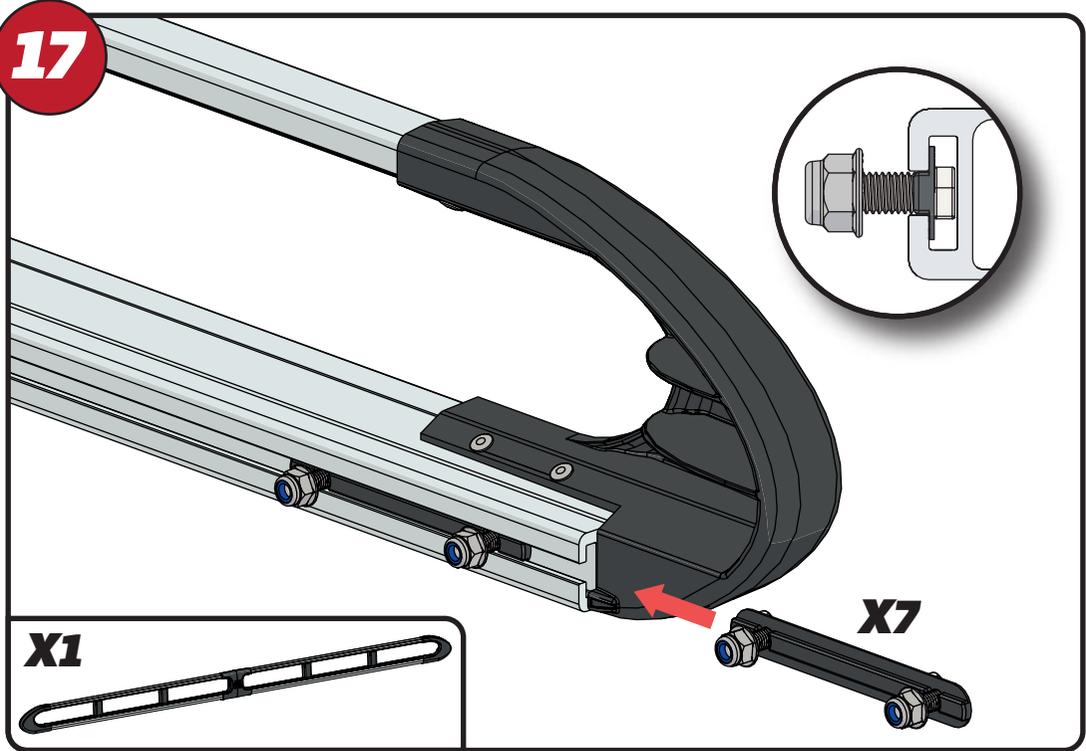
FX4008

16

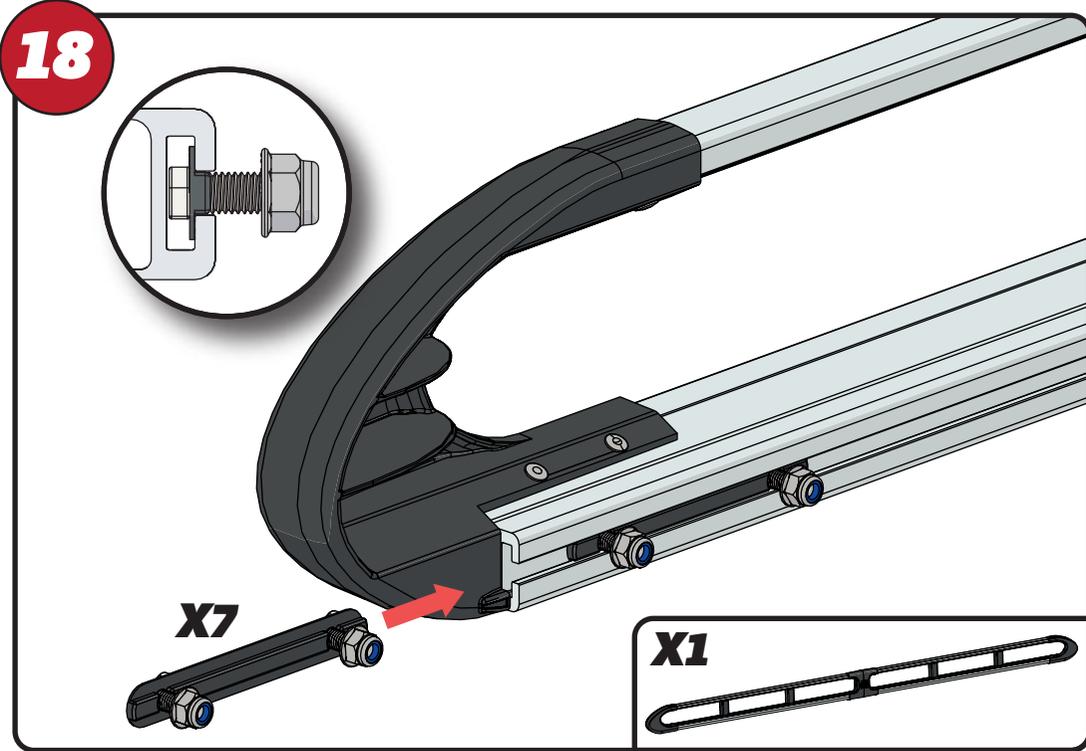


X14

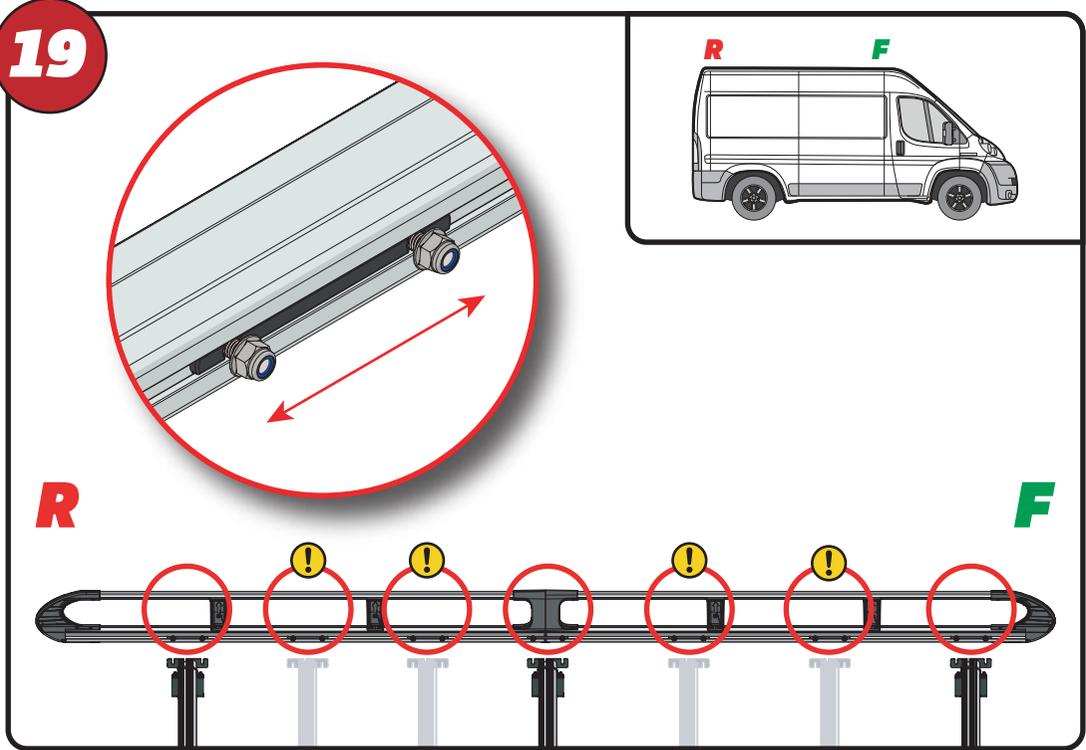
17



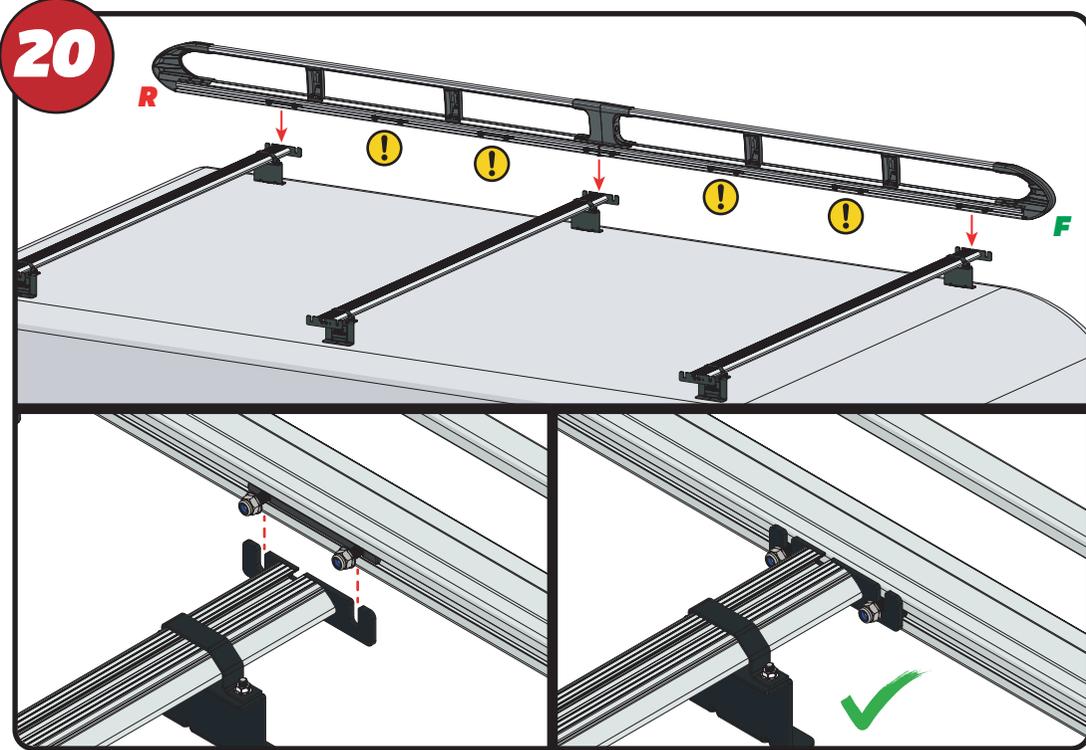
18



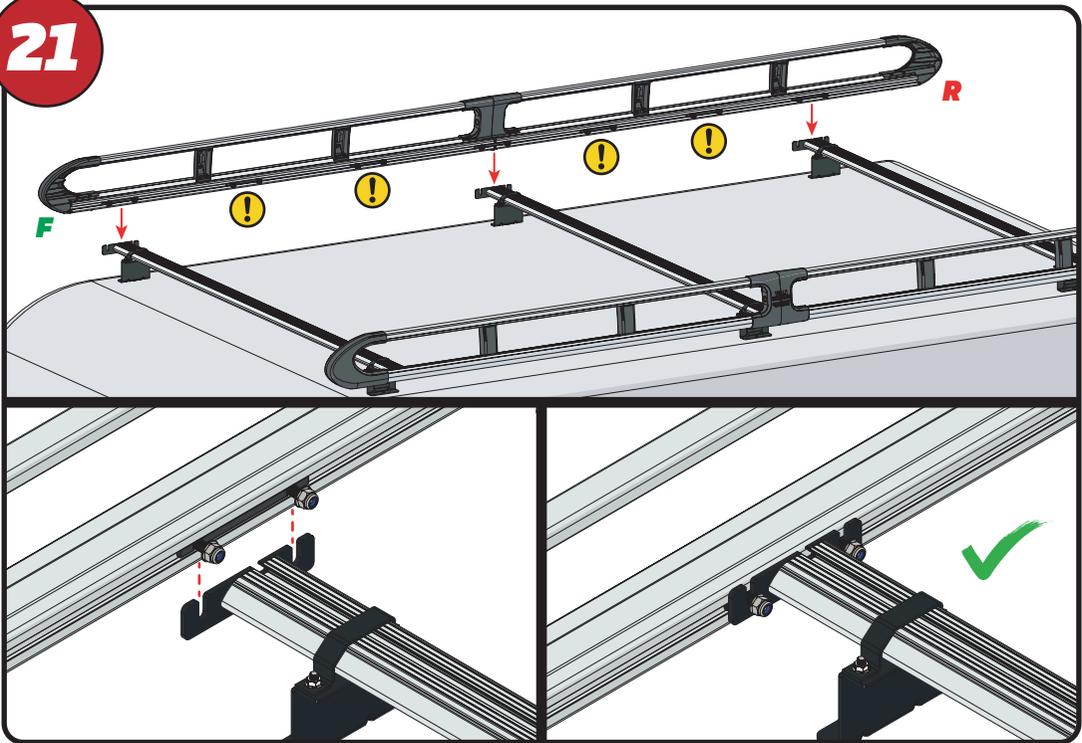
19



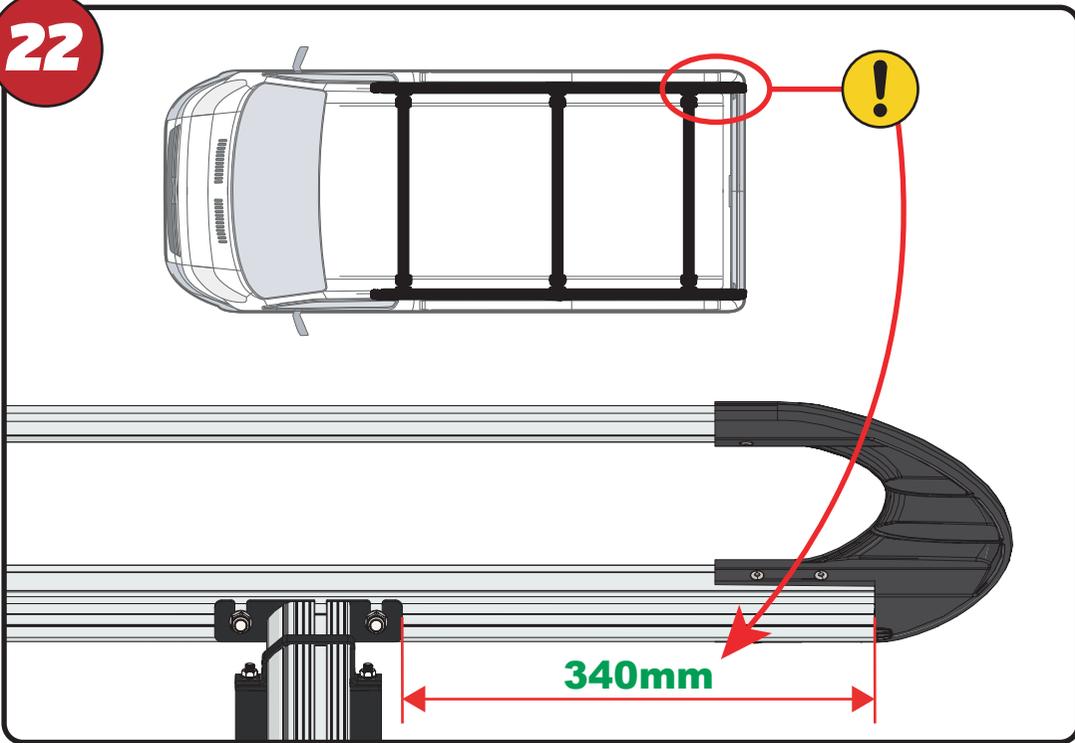
20



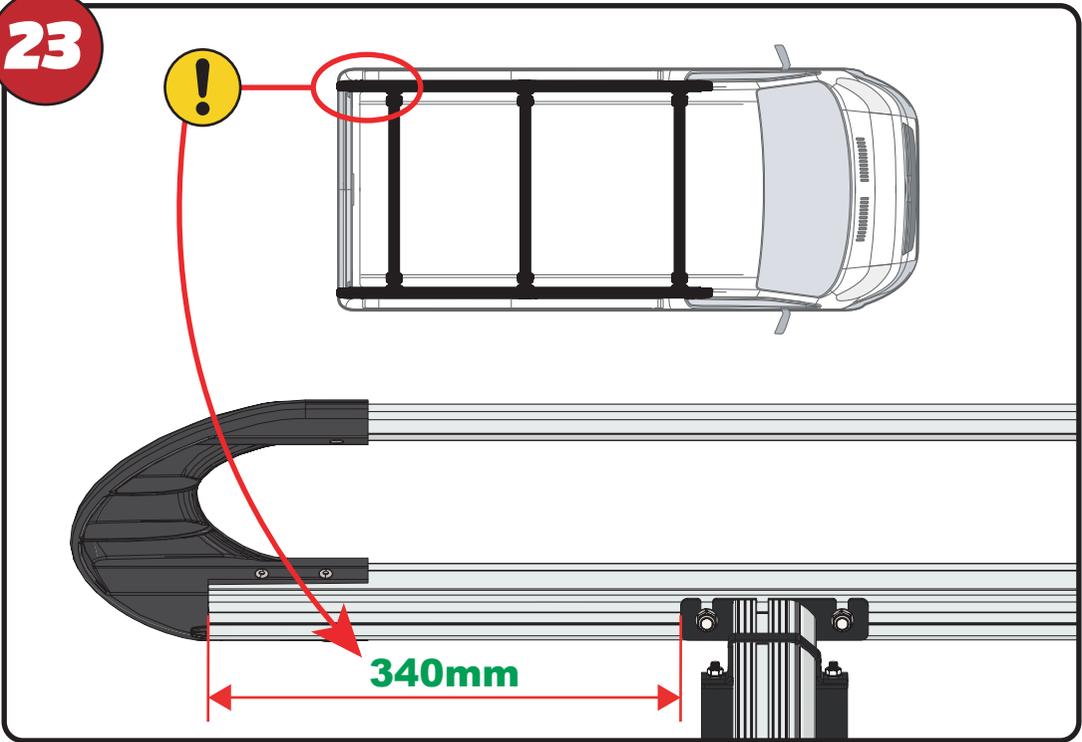
21



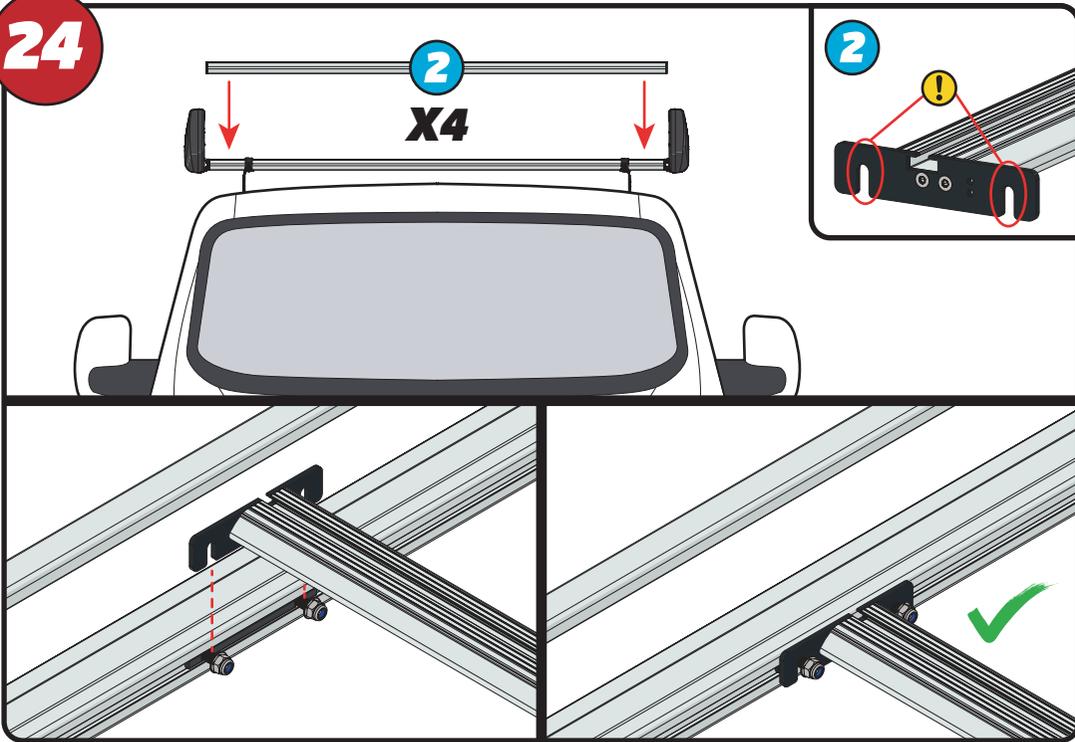
22



23

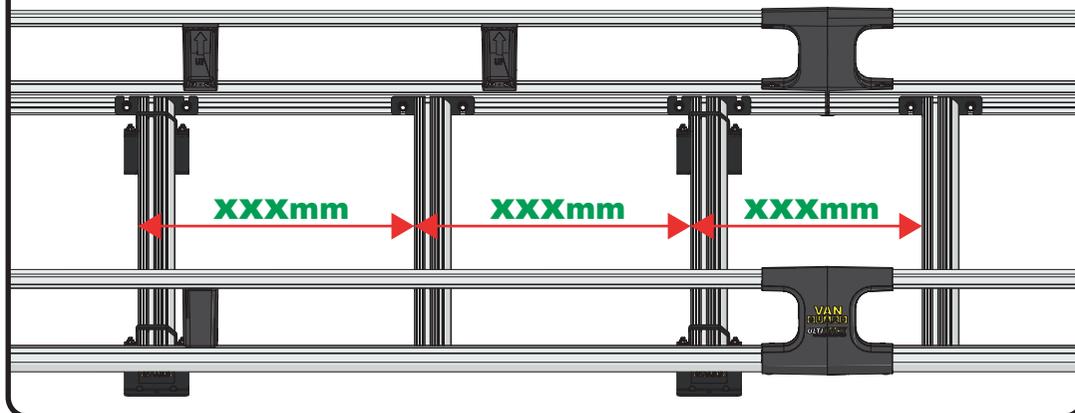
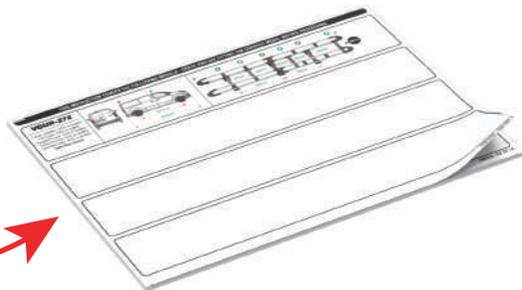
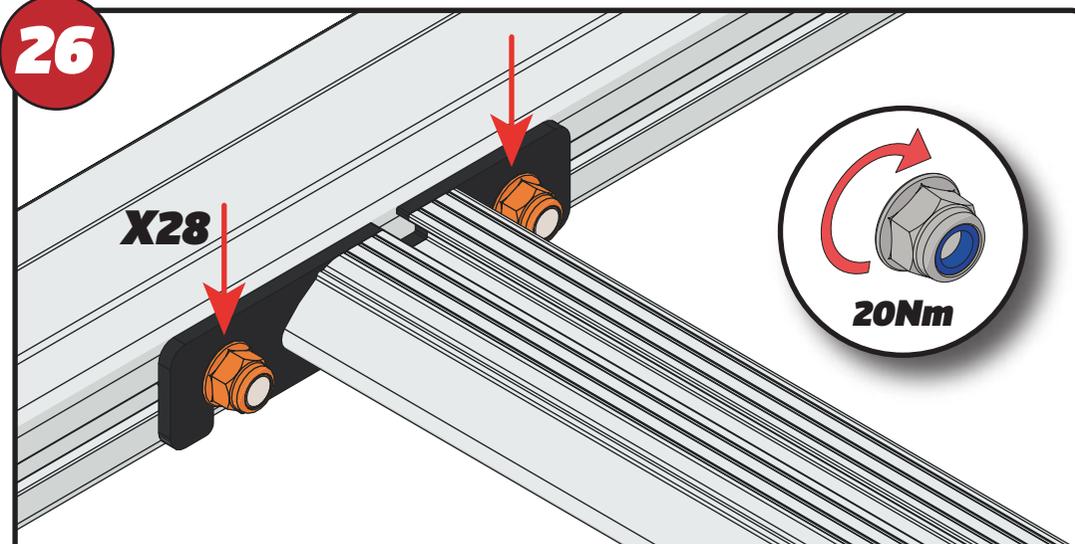


24



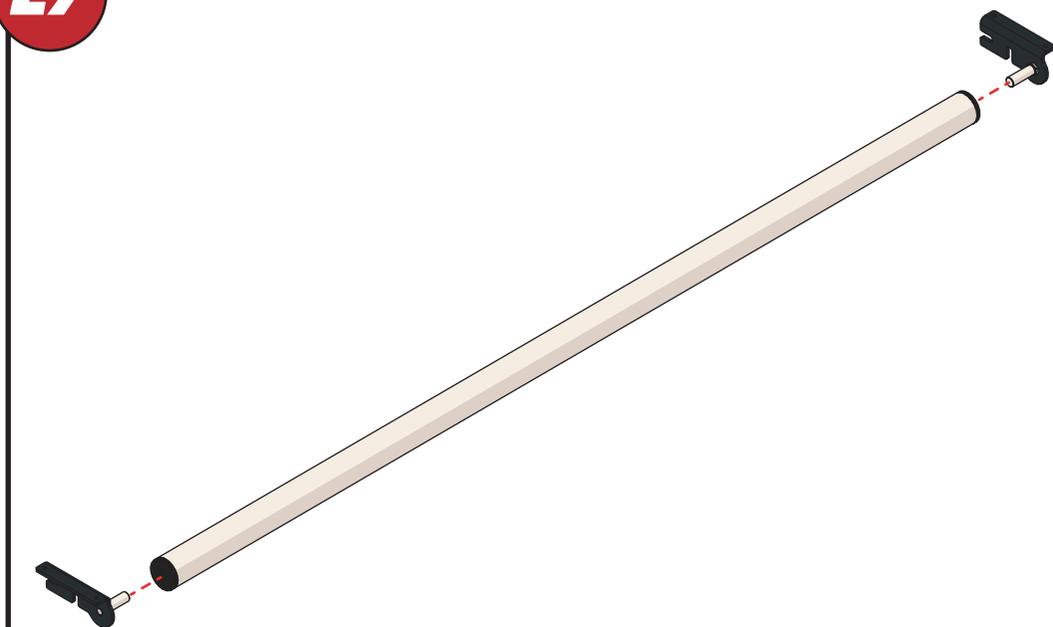
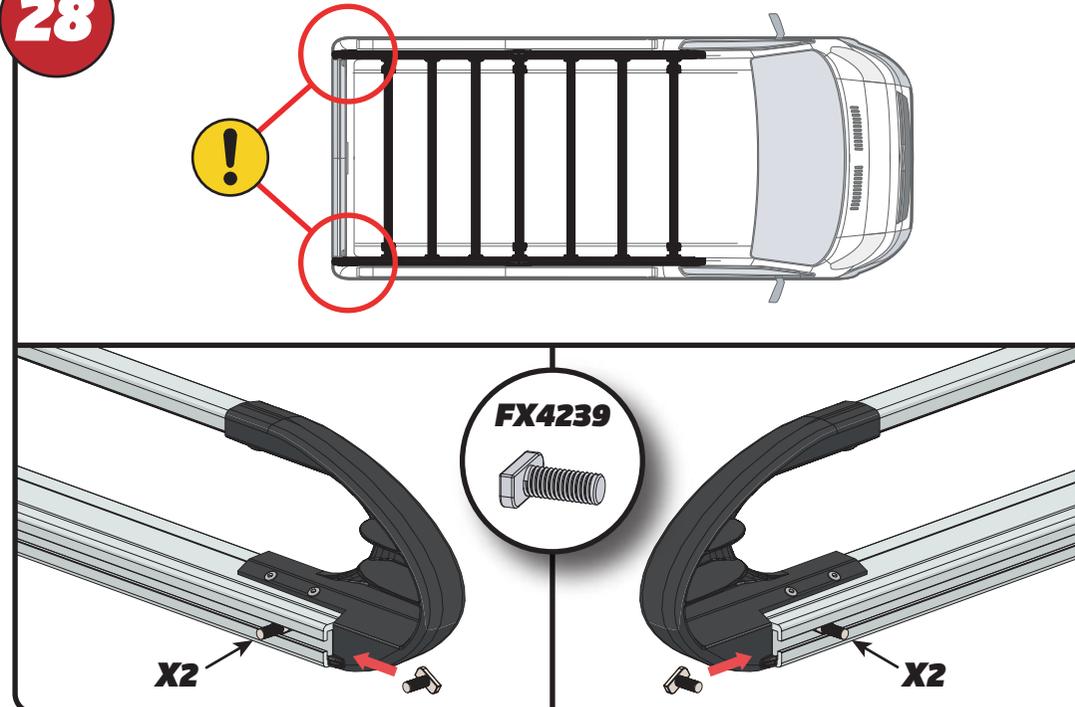
**25**

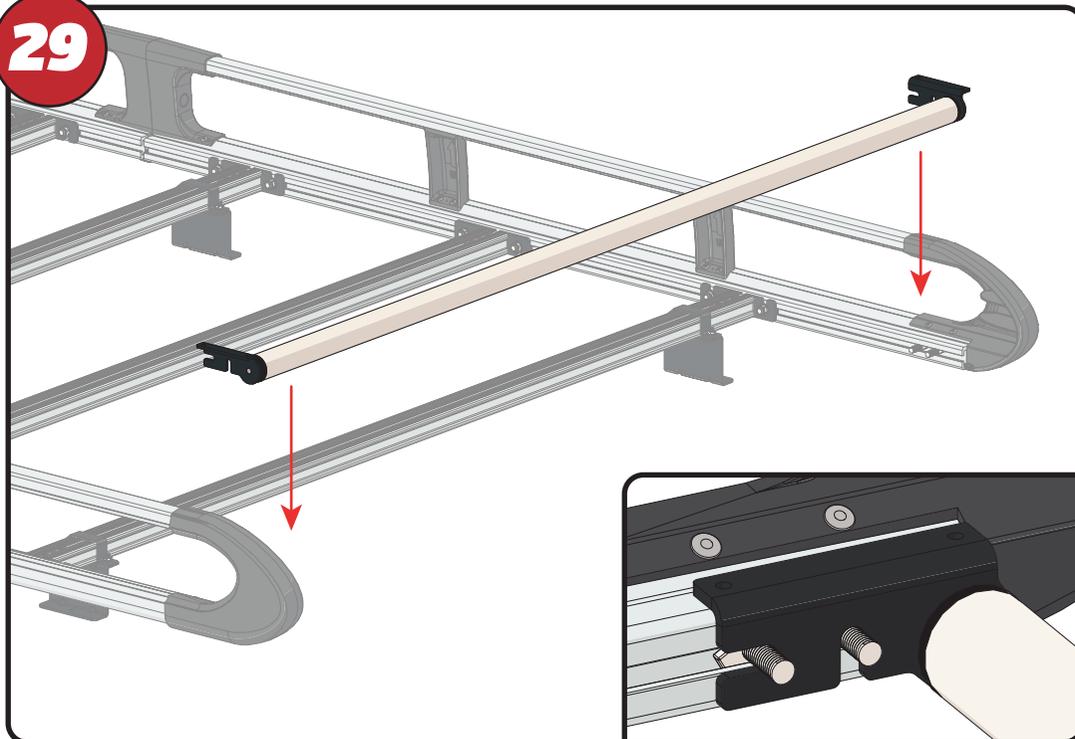
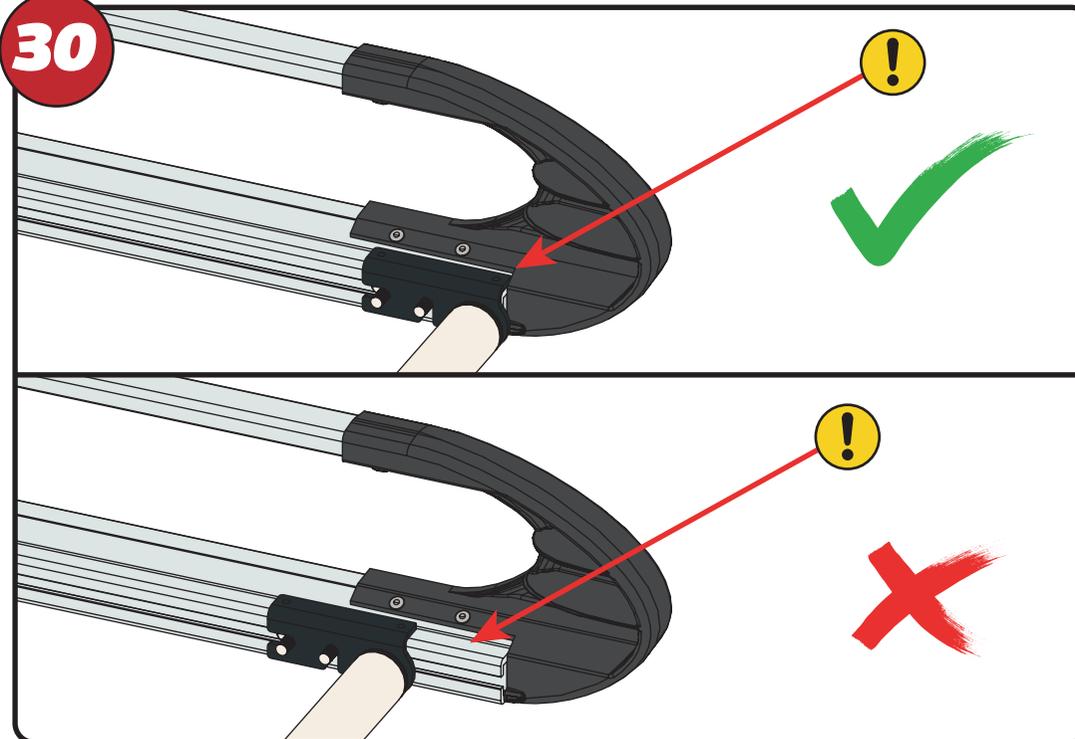
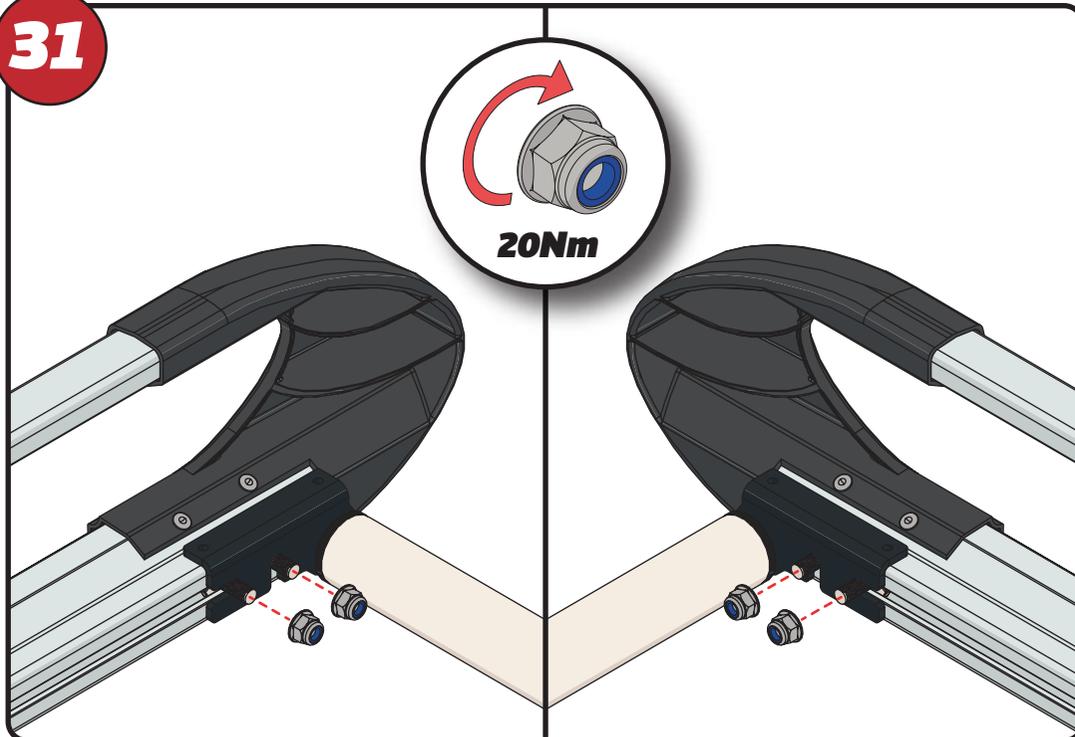
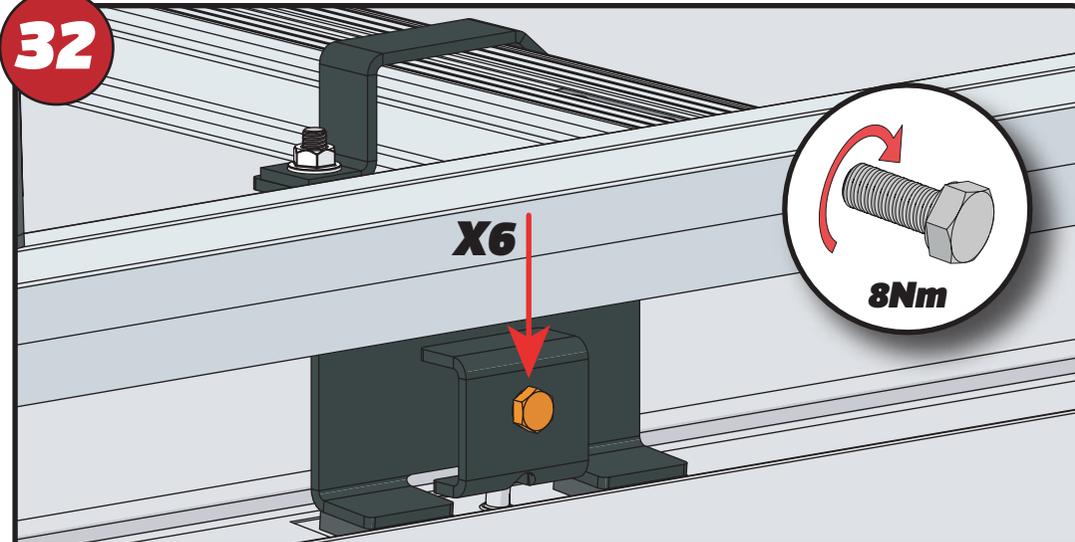
XXX =  
PAGE 2 OF 14

**26****X28****20Nm**

EN - TIGHTEN ALL OF THE CROSS BARS  
 DE - ALLE QUERSTANGEN FESTZIEHEN  
 FR - SERREZ TOUTES LES BARRES TRANSVERSALES  
 NL - DRAAI ALLE DWARSBALK VAN HET DAK AAN  
 ES - APRIETE TODAS LAS BARRAS TRANSVERSALES  
 IT - STRINGERE TUTTE LE BARRE TRASVERSALI

SV - SKRU UPP ALLA KORSSTANGAR  
 DA - SKRU ALLE TAGBØJLER OP  
 NO - SKRU OPP ALLE TVERRSTENGER  
 PL - DOKRĘCIĆ WSZYSTKIE POPRZECZKI  
 CS - VŠECHNY PŘÍČNÉ TYČE SEŠROUJTE

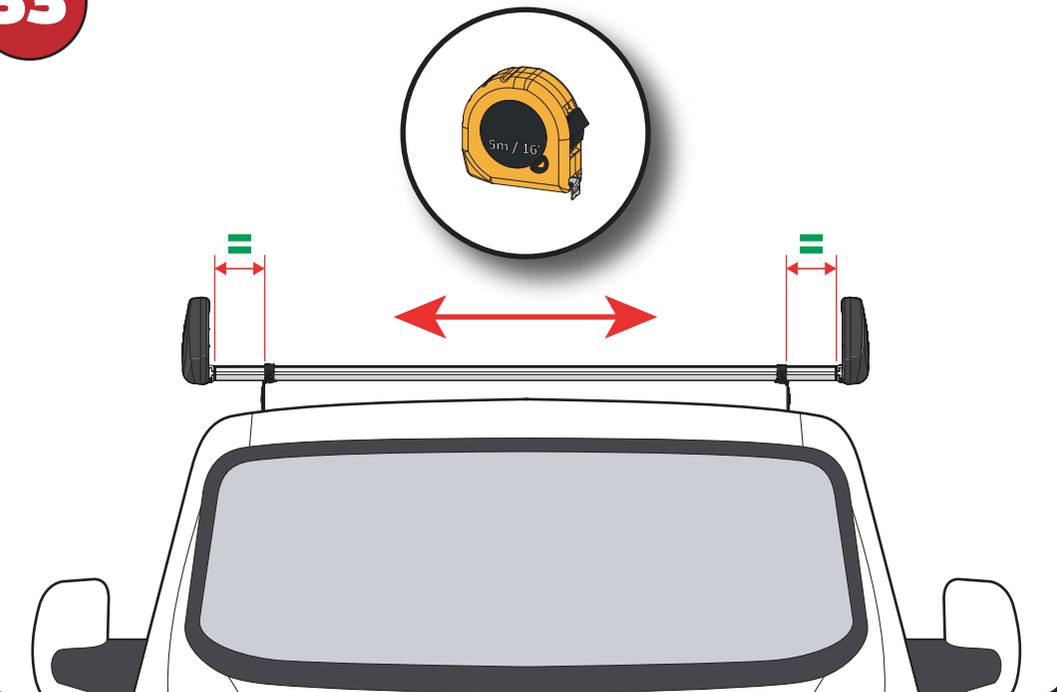
**27****28****FX4239****X2****X2**

**29****30****31****32**

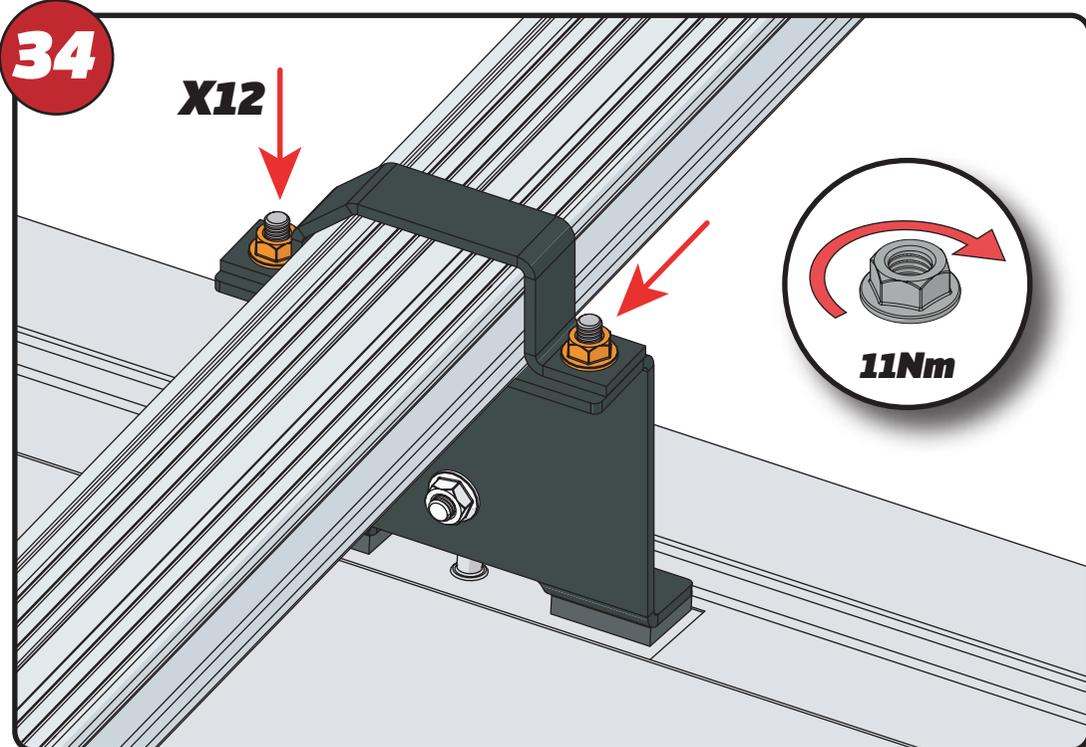
EN - HOLD THE BRACKET STRAIGHT WHILE TIGHTENING  
 DE - HALTEN SIE DIE HALTERUNG BEIM FESTZIEHEN GERADE  
 FR - TENIR LE SUPPORT DROITE PENDANT LE SERRAGE  
 NL - BEUGEL RECHT HOUDEN TIJDENS HET AANDRAAIEN  
 ES - MANTENGA EL SOPORTE RECTO MIENTRAS APRIETE  
 IT - TENERE LA STAFFA DIRITTA DURANTE IL SERRAGGIO

SV - HÅLL FÄSTET RAKT MEDAN DU DRAR ÅT  
 DA - HOLD BESLAGET LIGE, MENS DU STRAMMER  
 NO - HOLD BRAKETEN RETT MENS DU STRAMMES  
 PL - TRZYMAJ WSPORNIK PROSTO PODCZAS DOKRĘCANIA  
 CS - BĚHEM DOTÁHOVÁNÍ DRŽTE DRŽÁK ROVNĚ

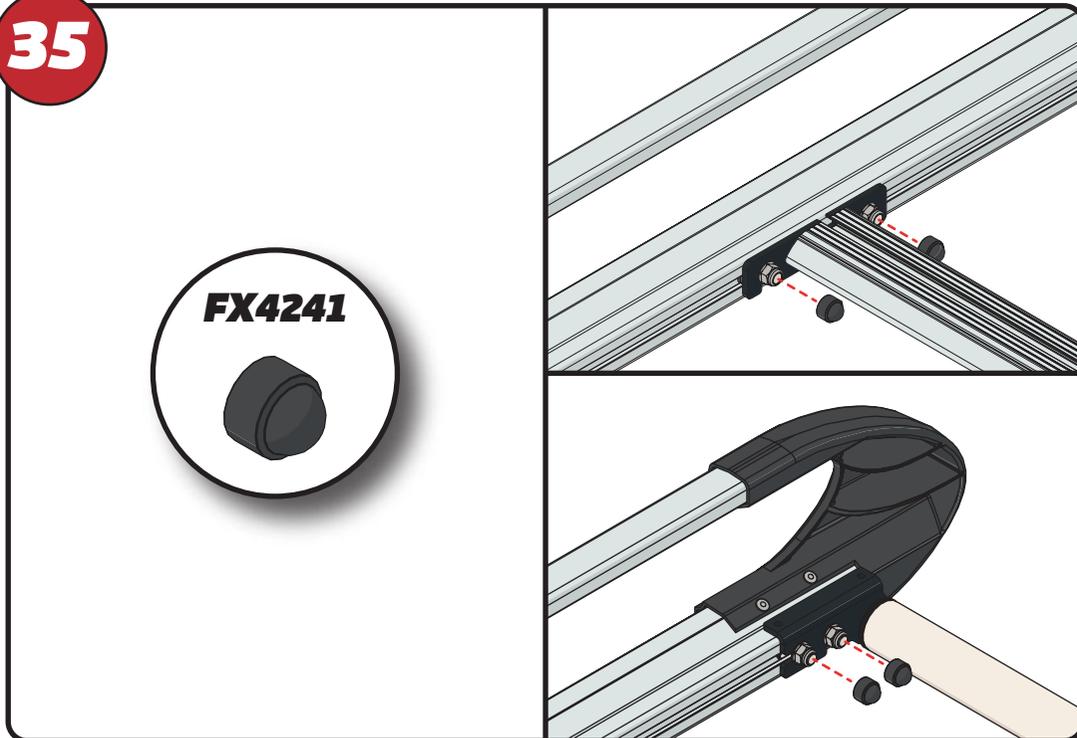
**33**



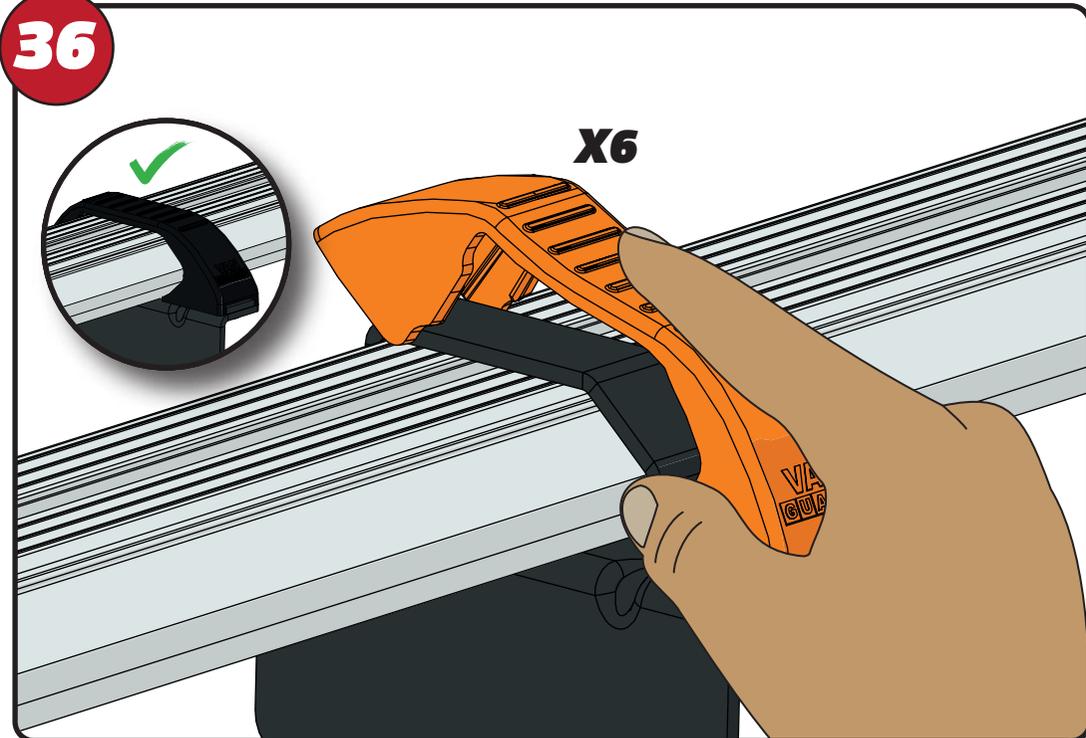
**34**



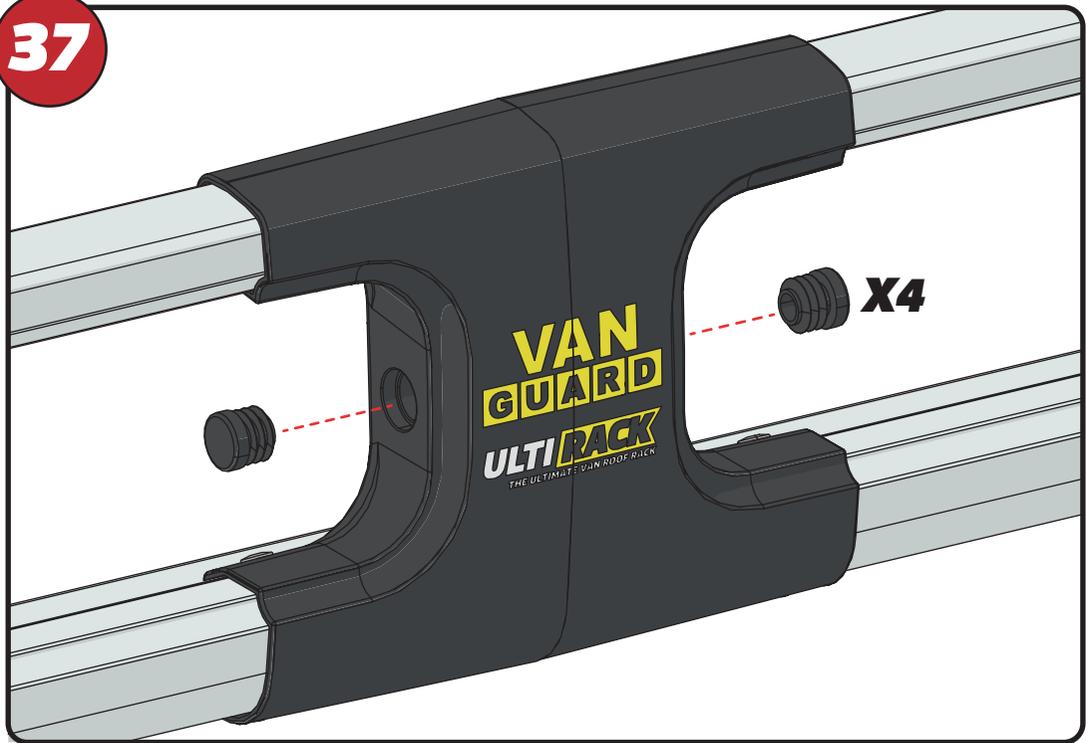
**35**



**36**



37



38

